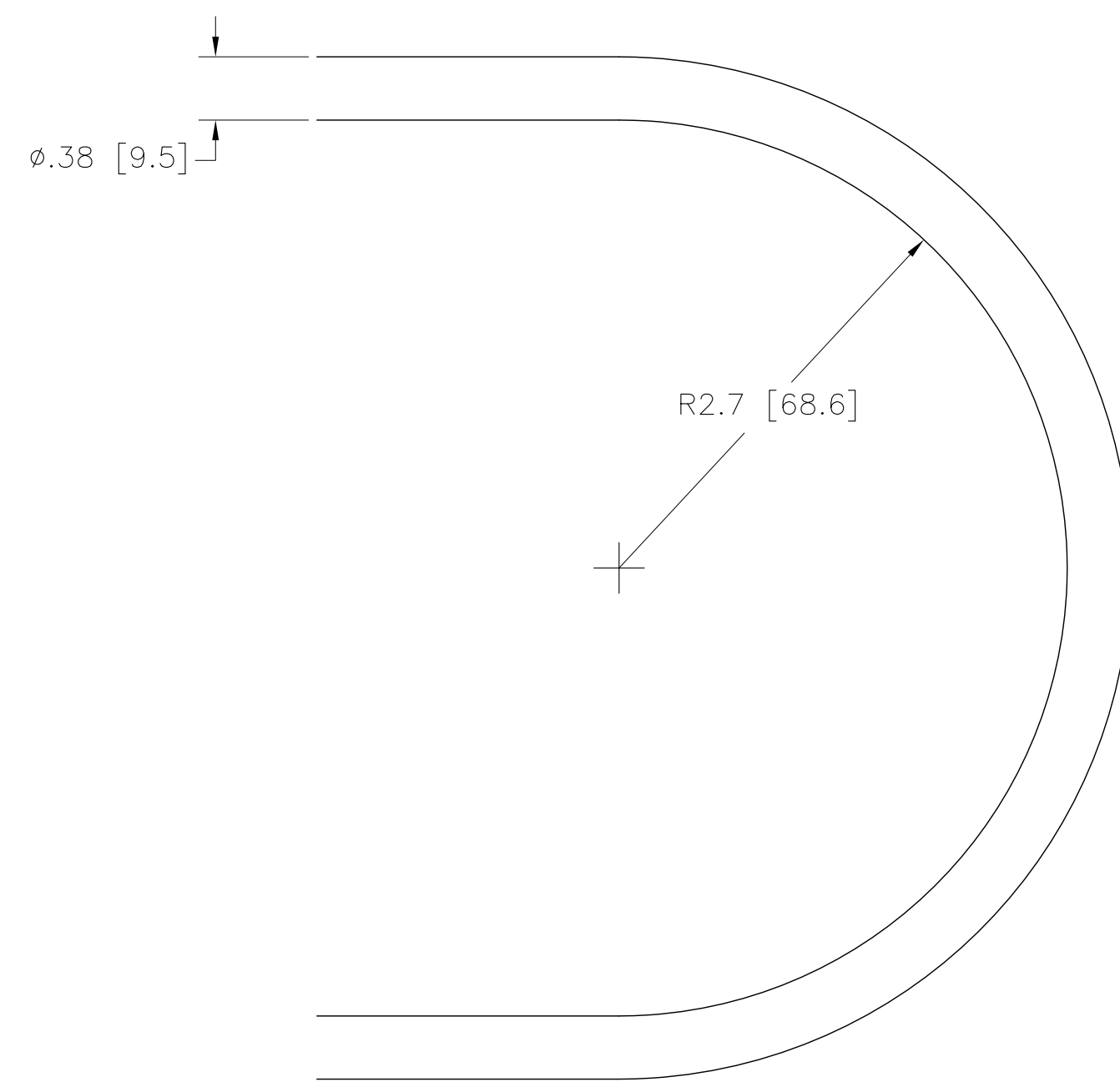
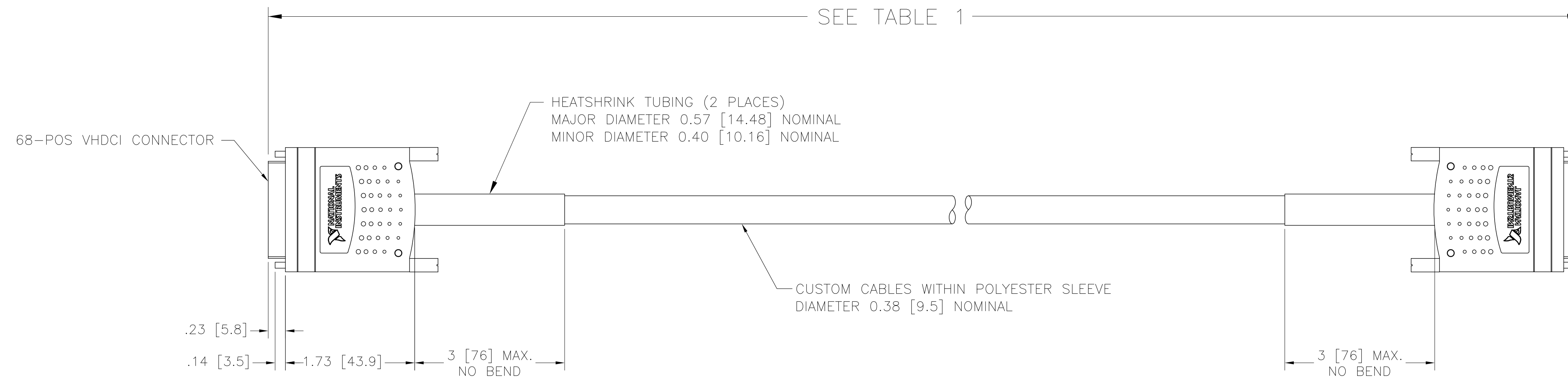
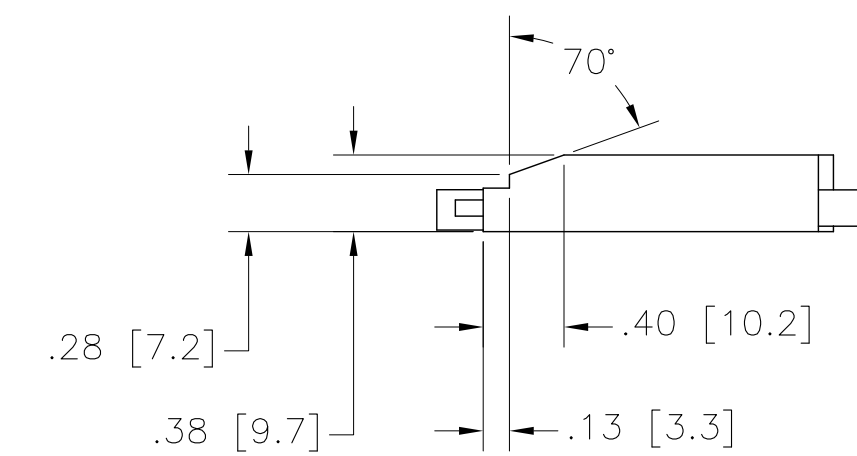
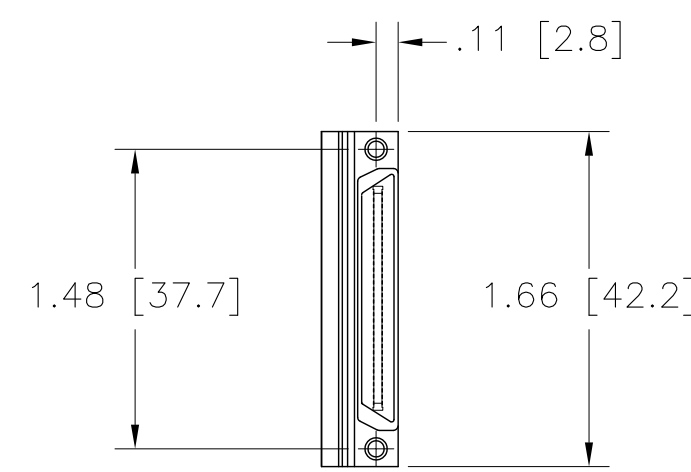


CUSTOMER DRAWING COMPATIBILITY			
REV	DESCRIPTION	DATE	APPROVED
A	DRAWING COMPATIBLE, RELEASED		



MINIMUM BEND RADIUS



LENGTH	TOLERANCE
<2M	+5 CM/-0 CM
2 TO 5M	+10 CM/-0 CM
>5M	+15 CM/-0 CM

1. REFER TO PRODUCT MANUAL ON NI.COM FOR MORE DETAILS.
NOTES: UNLESS OTHERWISE SPECIFIED.

CUSTOMER DRAWING		UNLESS OTHERWISE SPECIFIED DIMENSIONS ARE IN INCHES AND [MILLIMETERS]		 NATIONAL INSTRUMENTS® AUSTIN, TEXAS	
DO NOT SCALE DRAWING THIRD ANGLE PROJECTION		TITLE C68-C68-D4		SIZE CODE IDENT NO. DRAWING NO. D 17U296 10/9/17	
		SCALE: 1/1		SHEET 1 OF 1	